

**GROVE**

ACHSANBAU (12 X 8 X 12)  
 AXLE ATTACHMENT (12 X 8 X12)

BILDТАFЕL  
 PICTORIAL DISPLAY

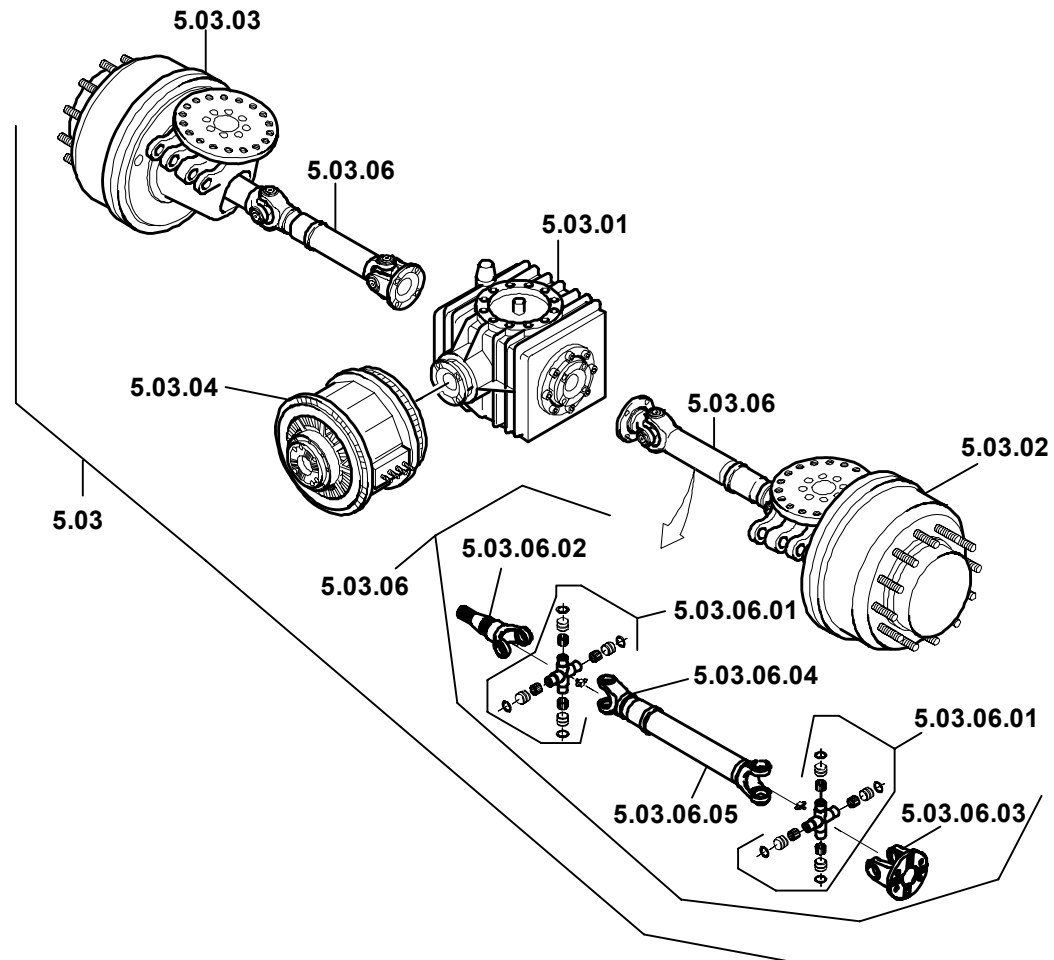
**GMK 6300**  
**BE 506**  
**G 061**

12.05

**3120281-ETL #**

3/4

5. Achslinie  
 5. axle line



**GROVE**

ACHSANBAU (12 X 8 X 12)  
 AXLE ATTACHMENT (12 X 8 X 12)

BILDTADEL  
 PICTORIAL DISPLAY

**GMK 6300**  
**BE 506**  
**G 061**

12.05

**3120281-ETL #**

4/4

